

FLEMING AGRI-PRODUCTS LTD Newbuildings Industrial Estate, Newbuildings, Northern Ireland BT47 2SX
Tel: +44 (0)28 7134 2637 Fax: +44 (0)28 7134 4735 Email: info@fleming-agri.co.uk www.fleming-agri.co.uk

Land Levellers



LL5

LL8

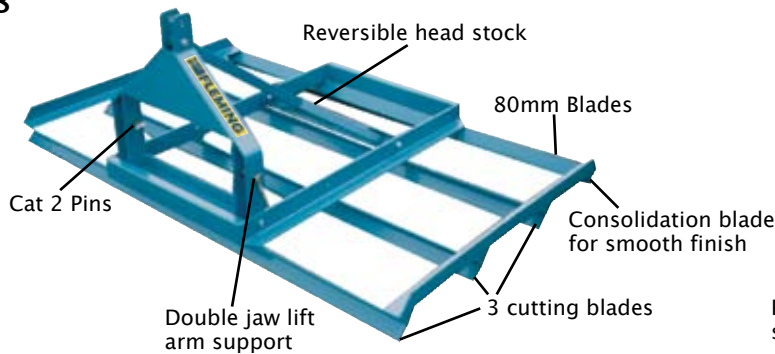
LL10

LL12

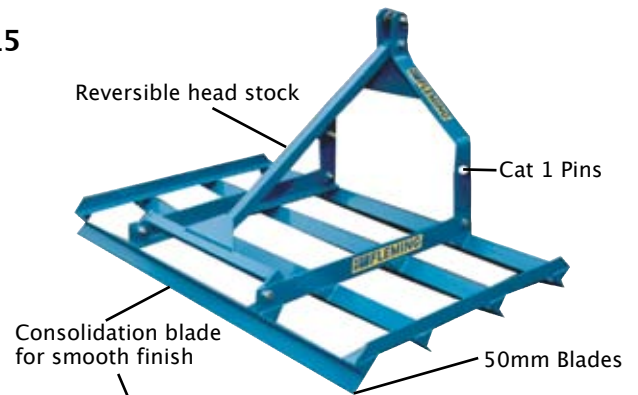
Landlevellers

Ideal low maintenance implement for levelling ploughed ground prior to sowing, safe guarding more expensive machinery. Excellent for levelling horse menages, gallops, exercise arena's etc. Levelling rutts breaking up crusted areas to leave a smooth level surface. The machine has 3 cutting blades and one consolidation blade. The 1.5m, 2.5m and 3m machines can be reversed to be used for fast smooth levelling of trampled areas. No moving parts minimal maintenance.

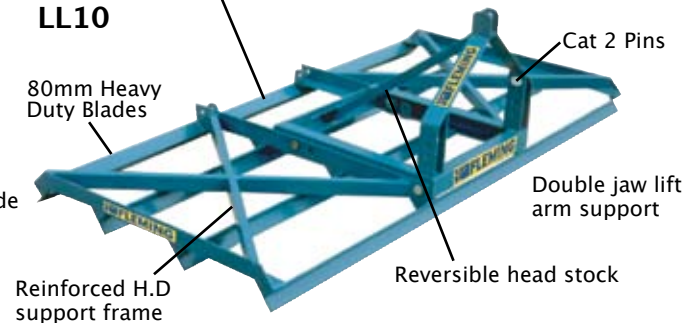
LL8



LL5

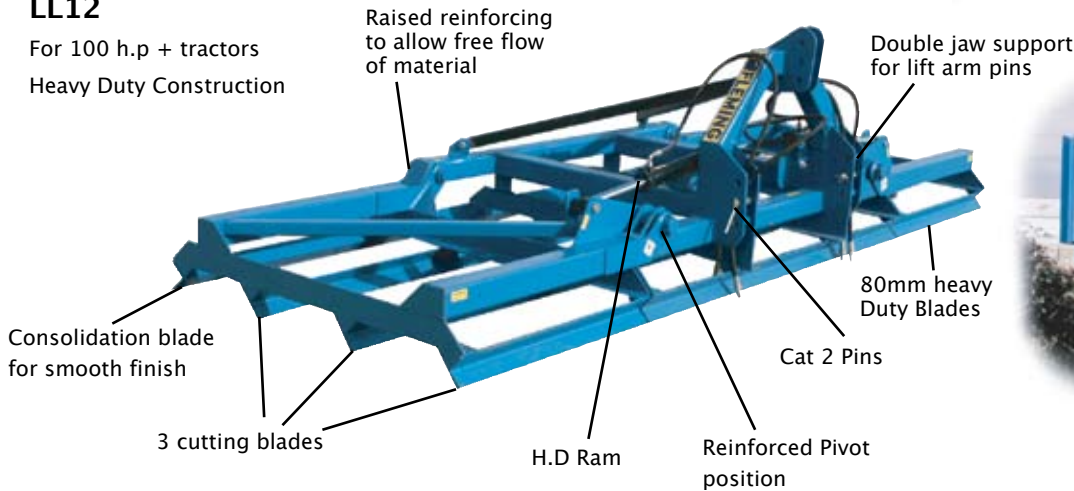


LL10



LL12

For 100 h.p + tractors
Heavy Duty Construction



Transport Position
2.5m wide

Code	LL12	LL10	LL8	LL5
Reversible	No	Yes	Yes	Yes
Width	4m	3m	2.5m	1.5m
Length	1.5m	1.6m	1.6m	0.9m
Weight	900kg	250kg	150kg	70kg
HP	100+	80	70	20
Lift pins facility	Cat 2	Cat.1/2	Cat .1/2	Cat .1
Rigid/Folding	Folding	Rigid	Rigid	Rigid

Due to a policy of continual improvement the company reserve the right to change price or specification without notice