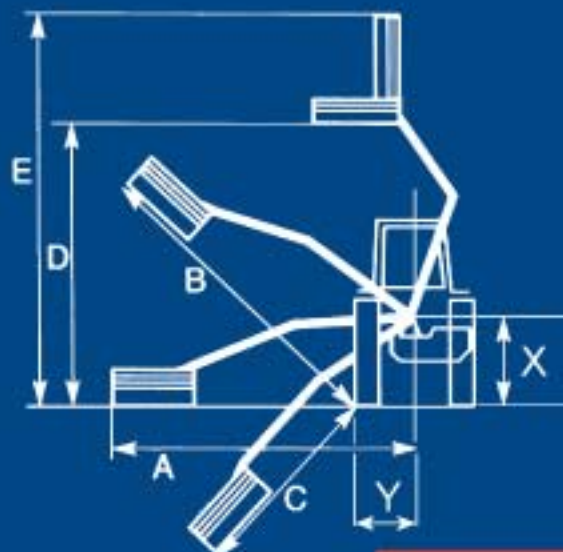


# Hawk

## Features

- ✓ 5.4m, 6m or 6.5m reach
- ✓ 1.2m Pro Trim head, 1.5m option on 5.4m
- ✓ 100 l/min independent hydraulic system
- ✓ 94° of slew (max non parallel systems)

The Hawk is perfect for farmers, small contractors and municipal environments.



	Hawk 5.4 (17' 9")	Hawk 6 (19' 8")	Hawk 6.5 (21' 4")
A	5.4m 17' 9"	6.0m 19' 8"	6.5m 21' 4"
B	5.5m 18'	6.1m 20'	6.65m 21' 8"
C	3.7m 12' 5"	4.3m 14' 1"	4.85m 15' 9"
D	4.5m 16' 10"	5.6m 18' 6"	5.6m 19'
E	6.16m 22' 3"	7.3m 23' 11"	7.72m 25' 5"
X	1.35m 4' 5"	1.35m 4' 5"	1.35m 4' 5"
Y	1m 3' 4"	1m 3' 4"	1m 3' 4"

### Working reach dimensions

Standard head used for calcs:

	Hawk 5.4 (17' 9")	Hawk 6 (19' 8")	Hawk 6.5 (21' 4")
A	5.4m 17' 9"	6.0m 19' 8"	6.5m 21' 4"
B	5.5m 18'	6.1m 20'	6.65m 21' 8"
C	3.7m 12' 5"	4.3m 14' 1"	4.85m 15' 9"
D	4.5m 16' 10"	5.6m 18' 6"	5.6m 19'
E	6.16m 22' 3"	7.3m 23' 11"	7.72m 25' 5"
X	1.35m 4' 5"	1.35m 4' 5"	1.35m 4' 5"
Y	1m 3' 4"	1m 3' 4"	1m 3' 4"

### Tractor requirements

Minimum horse power	65hp	65hp	70hp
Minimum weight	3000Kg	3250Kg	4000Kg

### Base unit mounting options

Front mount	✗	✗	✗
Mid-mount	✗	✗	✗
Rear mount	•	•	•
Three point linkage (CAT II)	•	•	•
Axle bracket	○	○	○

### Overall machine parameters

Weight of machine without oil or head	1200Kg	1225Kg	1263Kg
Capacity of oil tank	207Litres	207Litres	180Litres
Weight of machine with oil but without head	1365Kg	1390Kg	1428Kg

### Hydraulic controls

Cable control (CC)	○	○	○
Electronic proportional control (EPP)	○	○	○
Intelligent control system (ICS)	○	○	○
Low pressure hydraulics (LPH)	✗	✗	✗
Cable rotor reverse	○	○	○
Electronic rotor reverse	○	○	○

• = Standard  
○ = Optional  
✗ = Not available



	Hawk 5.4 (17' 9")	Hawk 6 (19' 8")	Hawk 6.5 (21' 4")
<b>Hydraulic system</b>			
System capability	60hp	60hp	60hp
Pump flow rate	100L/min	100L/min	100L/min
Pump type (Gear / Piston / Helical)	G	G	G
Pump arrangement (Twin / In-line)	T	T	T
Independent hydraulics	o	o	o
Oil cooler	o	o	o

nb: 125L/hr upgrade available

**Arm features and main frame**

Telescopic arm	x	x	•
Telescopic arm stroke	x	x	800mm
Power slow	•	•	•
Power slow angle	94°	94°	94°
Gravity breakout	x	x	x
Hydraulic breakout	•	•	•
Armfloat - manual	o	o	o
Armfloat - electronic	o	o	o
Headfloat - manual	•	•	•
Headfloat - electronic	o	o	o
Left hand cutting	o	o	o
Right hand cutting	o	o	o
Left & right hand cutting	x	x	x

**Arm attachments available**

Variable track bracket (VTB)	x	x	x
Cutter bar	o	o	o
Bladed saw head (Blade Runner)	x	x	x
Ditch cleaner	x	x	x
Rotary head	x	x	x

**Accessories**

Road lights	o	o	o
Debris blower	o	o	o
Warning arrow (Magnetic / Fixed)	o	o	o
Cab guard kit	•	•	•

**Cutting heads permitted**

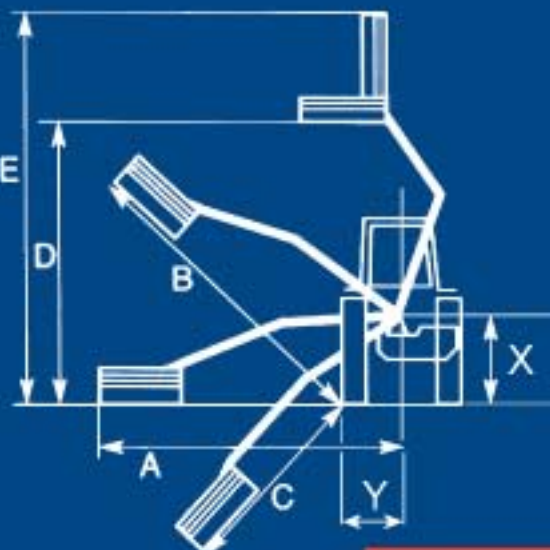
		MP44	HS40	T60	T40	Pro Flails	BB	Bushmaster
1.2m Pro-Trim 115mm roller	o	o	o	o	o	o	o	x
1.2m Pro-Trim with 150mm roller	o	o	o	o	o	o	o	x
1.2m head ISMP with 115mm roller	o	o	o	o	o	o	o	•
1.2m head ISMP 150mm roller	o	o	o	o	o	o	o	•
1.5m Pro-Trim with 115mm roller	o	x	x	o	o	o	o	x
1.5m Pro-Trim with 150mm roller	o	x	x	o	o	o	o	x



# Hawk Parallel

## Features

- ✓ 5.4m, 6m or 6.5m reach
- ✓ 1.2m or 1.5m Pro Trim head (5.4m only)
- ✓ Oil cooled (electric controls)
- ✓ Intelligent control system option



	Hawk 5.4 (17' 9")	Hawk 6 (19' 8")	Hawk 6.5 (21' 4")
A	5.4m 17' 9"	6.0m 19' 8"	6.5m 21' 4"
B	5.5m 18'	6.1m 20'	6.65m 21' 8"
C	3.8m 12' 5"	4.3m 14' 1"	4.80m 15' 9"
D	5.15m 16' 10"	5.8m 18' 6"	5m 16' 5"
E	6.8m 22' 3"	7.3m 23' 11"	6.65m 21' 10"
X	1.35m 4' 5"	1.35m 4' 5"	1.35m 4' 5"
Y	1m 3' 4"	1m 3' 4"	1m 3' 4"

### Working reach dimensions

Standard head used for calcs:

	Hawk 5.4 (17' 9")	Hawk 6 (19' 8")	Hawk 6.5 (21' 4")
A	5.4m 17' 9"	6.0m 19' 8"	6.5m 21' 4"
B	5.5m 18'	6.1m 20'	6.65m 21' 8"
C	3.8m 12' 5"	4.3m 14' 1"	4.80m 15' 9"
D	5.15m 16' 10"	5.8m 18' 6"	5m 16' 5"
E	6.8m 22' 3"	7.3m 23' 11"	6.65m 21' 10"
X	1.35m 4' 5"	1.35m 4' 5"	1.35m 4' 5"
Y	1m 3' 4"	1m 3' 4"	1m 3' 4"

### Tractor requirements

Minimum horse power	65hp	65hp	70hp
Minimum weight	3000Kg	3250Kg	4000Kg

### Base unit mounting Options

Front mount	✗	✗	✗
Mid-mount	✗	✗	✗
Rear mount	•	•	•
Three point linkage (CAT II)	•	•	•
Axle bracket	o	o	o

### Overall machine parameters

Weight of machine without oil or head	1212Kg	1237Kg	1275Kg
Capacity of oil tank	207Litres	207Litres	180Litres
Weight of machine with oil but without head	1377Kg	1402Kg	1440Kg

### Hydraulic controls

Cable control (CC)	o	o	o
Electronic proportional control (EPP)	o	o	o
Intelligent control system (ICS)	o	o	o
Low pressure hydraulics (LPH)	✗	✗	✗
Cable rotor reverse	o	o	o
Electronic rotor reverse	o	o	o

• = Standard  
o = Optional  
✗ = Not available

	Hawk 5.4 (17' 9")	Hawk 6 (19' 8")	Hawk 6.5 (21' 4")
<b>Hydraulic system</b>			
System capability	60hp	60hp	60hp
Pump flow rate	100Ltres	100Ltres	100Ltres
Pump type (Gear / Piston / Helical)	G	G	G
Pump arrangement (Twin / In-line)	T	T	T
Independent hydraulics	•	•	•
Oil cooler	o	o	o

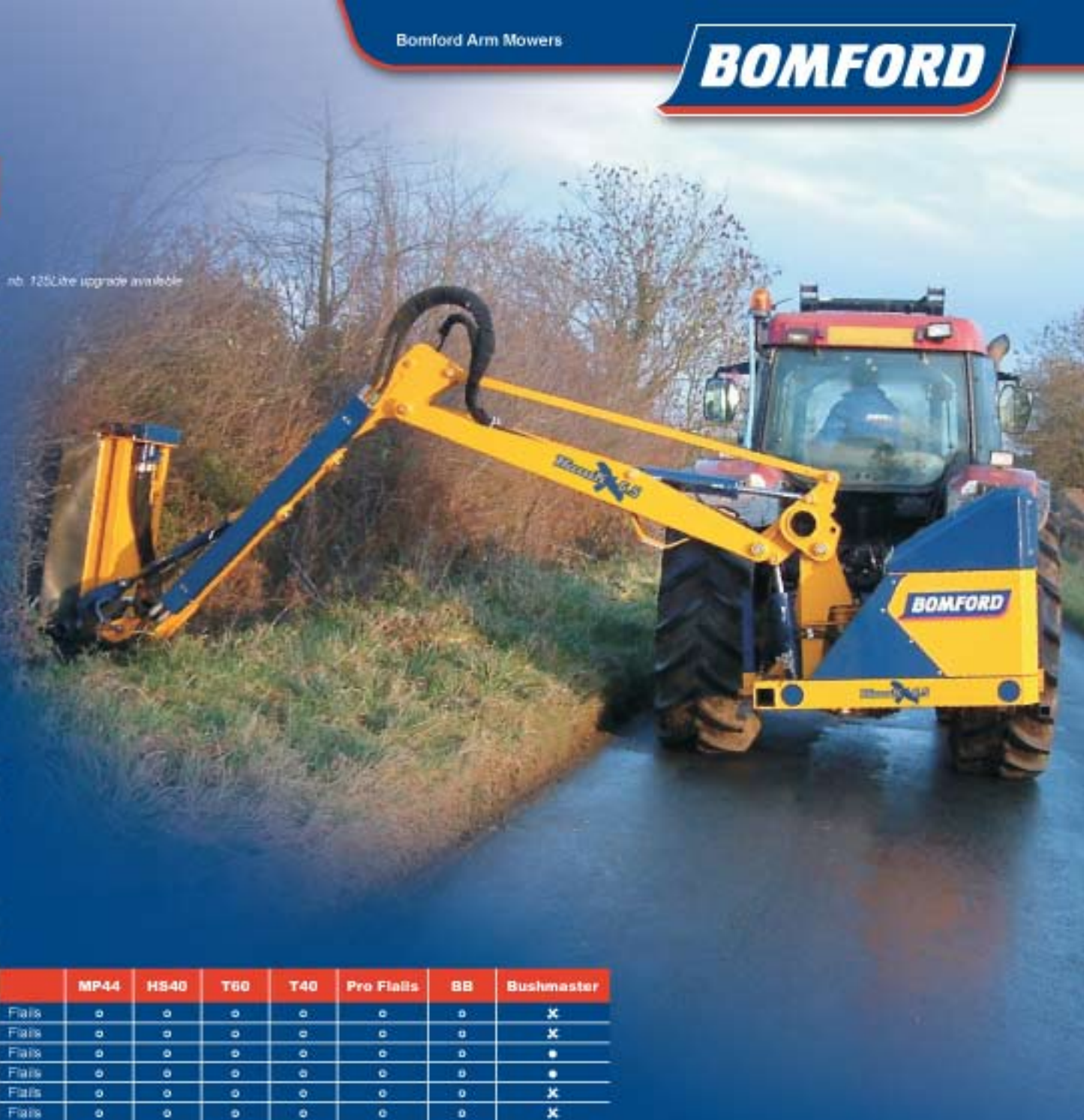
nb. 125 litre upgrade available

<b>Arm features and main frame</b>			
Forward arm	✗	✗	✗
Forward arm reach (Fixed / Variable)	✗	✗	✗
Telescopic arm	✗	✗	✗
Telescopic arm stroke	✗	✗	600mm
Power slow	o	o	o
Power slow angle	90°	90°	90°
Gravity breakout	✗	✗	✗
Hydraulic breakout	•	•	•
Armfloat - manual	o	o	o
Armfloat - electronic	o	o	o
Headfloat - manual	•	•	•
Headfloat - electronic	o	o	o
Left hand cutting	o	o	o
Right hand cutting	✗	✗	✗

<b>Arm attachments available</b>			
Variable track bracket (VTB)	✗	✗	✗
Cutter bar	o	o	o
Bladed saw head (Blade Runner)	✗	✗	✗
Ditch cleaner	✗	✗	✗
Rotary head	✗	✗	✗

<b>Accessories</b>			
Road lights	o	o	o
Debris blower	o	o	o
Warning arrow (Magnetic / Fixed)	o	o	o
Cab guard kit	•	•	•

<b>Cutting heads permitted</b>					MP44	HS40	T60	T40	Pro Flails	BB	Bushmaster
1.2m Pro-Trim 115mm roller	o	o	o	Flails	o	o	o	o	o	o	✗
1.2m Pro-Trim with 150mm roller	o	o	o	Flails	o	o	o	o	o	o	✗
1.2m head ISMP with 115mm roller	o	o	o	Flails	o	o	o	o	o	o	•
1.2m head ISMP 150mm roller	o	o	o	Flails	o	o	o	o	o	o	•
1.5m Pro-Trim with 115mm roller	o	✗	✗	Flails	o	o	o	o	o	o	✗
1.5m Pro-Trim with 150mm roller	o	✗	✗	Flails	o	o	o	o	o	o	✗



# Hawk Forward

## Features

- ✓ 5.4m
- ✓ 800mm forward arm
- ✓ Oil cooled as standard on EPP/ICS
- ✓ 100mm or 150mm roller options
- ✓ Standard 3 point or optional axle bracket mounted



ICS



Axle brackets



Road lights



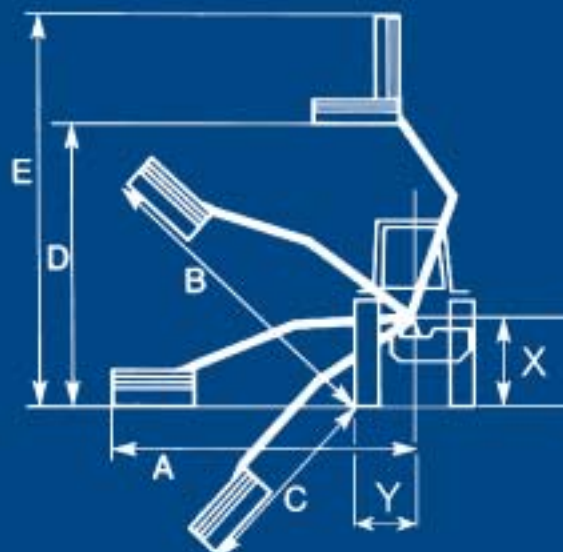
Head position



EPP III



Cable control



Hawk Fwd  
5.4  
(17' 9")

A	5.4m	17' 9"
B	5.5m	18'
C	3.8m	12' 5"
D	5.15m	16' 10"
E	6.8m	22' 3"
X	1.35m	4' 5"
Y	1m	3' 4"

### Working reach dimensions

Standard head used for calcs:

Hawk Fwd  
5.4  
(17' 9")

### Tractor requirements

Minimum horse power	65hp
Minimum weight	2200kg

### Base unit mounting options

Front mount	✗
Mid-mount	✗
Rear mount	•
Three point linkage (CAT II)	•
Axle bracket	◦

### Overall machine parameters

Weight of machine without oil or head	1247kg
Capacity of oil tank	307 litres
Weight of machine with oil but without head	1412kg

### Hydraulic controls

Cable control (CC)	◦
Electronic proportional control (EPP)	◦
Intelligent control system (ICS)	◦
Low pressure hydraulics (LPH)	✗
Cable rotor reverse	◦
Electronic rotor reverse	◦

• = Standard  
◦ = Optional  
✗ = Not available

**Hawk Fwd  
5.4  
(17' 9")****Hydraulic system**

System capability	50hp
Pump flow rate	100litres <small>or 125litre upgrade available</small>
Pump type (Gear / Piston / Helical)	○
Pump arrangement (Twin / In-line)	✗
Independent hydraulics	●
Oil cooler	○

**Arm features and main frame**

Forward arm	●
Forward arm reach	800mm
Power slew	○
Power slew angle	94°
Gravity breakout	✗
Hydraulic breakout	●
Armfloat - manual	○
Armfloat - electronic	○
Headfloat - manual	●
Headfloat - electronic	○
Left hand cutting	○
Right hand cutting	○
Left & right hand cutting	✗

**Arm attachments available**

Variable track bracket (VTB)	✗
Cutter bar	○
Bladed saw head (Blade Runner)	✗
Ditch cleaner	✗
Rotary head	✗

**Accessories**

Road lights	○
Debris blower	○
Warning arrow (Magnetic / Fixed)	○
Cab guard kit	●

**Cutting heads permitted**

		MP44	HS40	T60	T40	Pro Flails	BB	Bushmaster
1.2m Pro-Trim 115mm roller	○	Flails	○	○	○	○	○	✗
1.2m Pro-Trim with 150mm roller	○	Flails	○	○	○	○	○	✗
1.2m head ISMP with 115mm roller	○	Flails	○	○	○	○	○	●
1.2m head ISMP 150mm roller	○	Flails	○	○	○	○	○	●
1.5m Pro-Trim with 115mm roller	✗	Flails	○	○	○	○	○	✗
1.5m Pro-Trim with 150mm roller	✗	Flails	○	○	○	○	○	✗

